

2007 Supplement  
**KAWASAKI NINJA® 650R**



*Parts Diagram*

**Kawasaki**  
Let the good times roll.



# CONTENTS

## FRAME

Frame.....	4
Frame Fittings.....	6
Cowling Centres.....	8
Cowling Upper.....	10
Cowling Lowers.....	12
Decals.....	14
Front Fender.....	16
Fuel Tank.....	18
Seat Cover .....	20
Handlebar.....	22
Front Forks.....	24
Suspension/Shock Absorber.....	26
Swingarm. ....	28

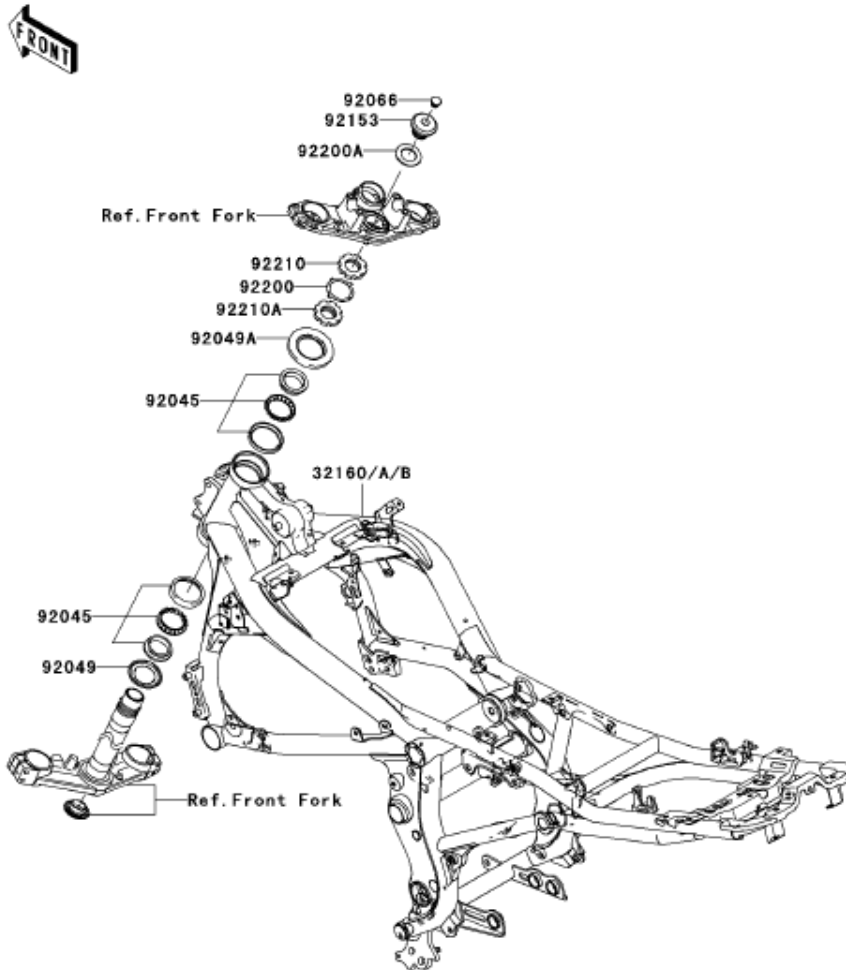
## ENGINE

Starter Motor (ER650AE046804).....	30
Starter Motor (ER650AE046804).....	32



# Frame

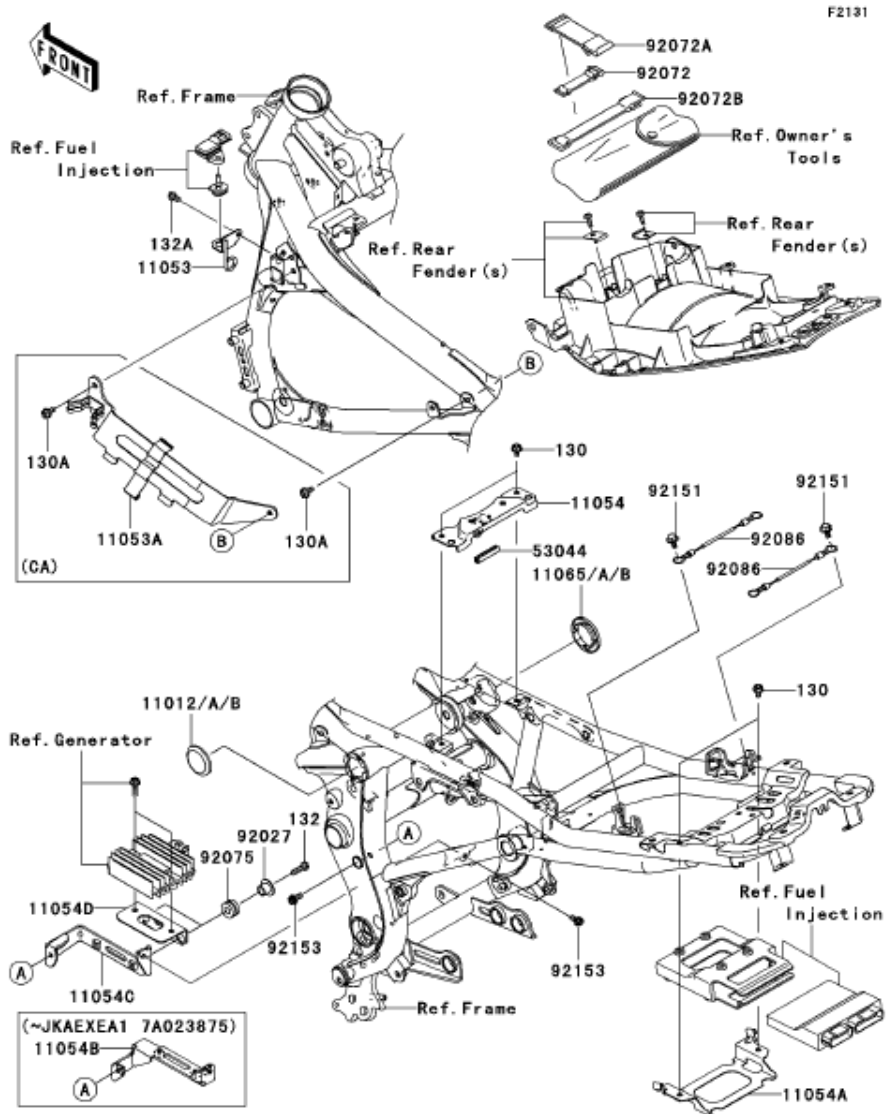
F2120



## Frame

Ref #	Part #	Description	Qty	Spec #
32160	32160-0173-458	FRAME-COMP,P.SILVER	1	
92045	92045-1384	BEARING-BALL,SF07A17PX1V1	2	
92049	92049-0022	SEAL-OIL,DS35X55X4	1	
92049A	92049-1483	SEAL-OIL,MX043N2	1	
92066	92066-0071	PLUG	1	
92153	92153-0474	BOLT,26MM	1	
92200	92200-0036	WASHER	1	
92200A	92200-0081	WASHER,27X42X2.3	1	
92210	92210-0062	NUT,STEERING STEM 35MM	1	
92210A	92210-0077	NUT,STEERING STEM,35MM	1	

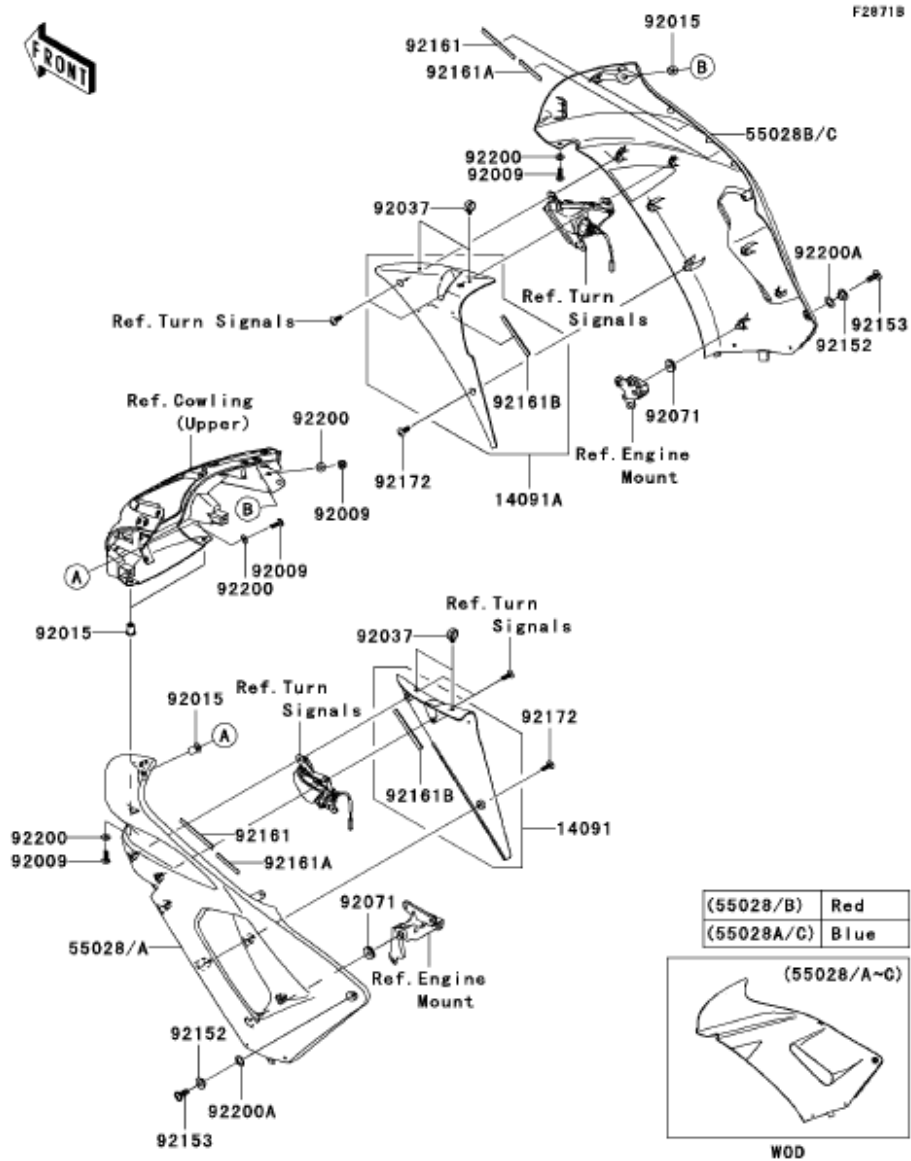
# Frame Fittings



### Frame Fittings

Ref #	Part #	Description	Qty	Spec #
130	130L0610	BOLT-FLANGED,6X10	4	
130A	130L0612	BOLT-FLANGED,6X12	2	[CA]
132	132J0622	BOLT-FLANGED-SMALL,6X22	2	(JKAEXEA1 7A023876 - )
132A	132L0610	BOLT-FLANGED-SMALL,6X10	1	
11012	11012-1717-10C	CAP,CROSS PIPE,F.P.SILVER	1	
11053	11053-1931	BRACKET,BOOST SENSOR	1	
11053A	11053-1964	BRACKET,CANISTER	1	[CA]
11054	11054-0248	BRACKET,FUEL TANK	1	
11054A	11054-0347	BRACKET,ECU	1	
11054B	11054-0523	BRACKET,REGULATOR	1	( - JKAEXEA1 7A023875)
11054C	11054-1283	BRACKET,REGULATOR	1	(JKAEXEA1 7A023876 - )
11054D	11054-1284	BRACKET,REGULATOR	1	(JKAEXEA1 7A023876 - )
11065	11065-0125-10C	CAP,FRAME,F.P.SILVER	1	
53044	53044-0012	TRIM,L=40	1	
92027	92027-1450	COLLAR,L=13.1,BLACK	2	(JKAEXEA1 7A023876 - )
92072	92072-1085	BAND	1	
92072A	92072-1176	BAND,TOOL	1	
92072B	92072-1203	BAND,L=150	1	
92075	92075-209	DAMPER	2	(JKAEXEA1 7A023876 - )
92086	92086-1075	WIRE,L=150	2	
92151	92151-1703	BOLT,FLANGED,6X13	2	
92153	92153-1517	BOLT,SOCKET,6X16	2	

# Cowling Centres

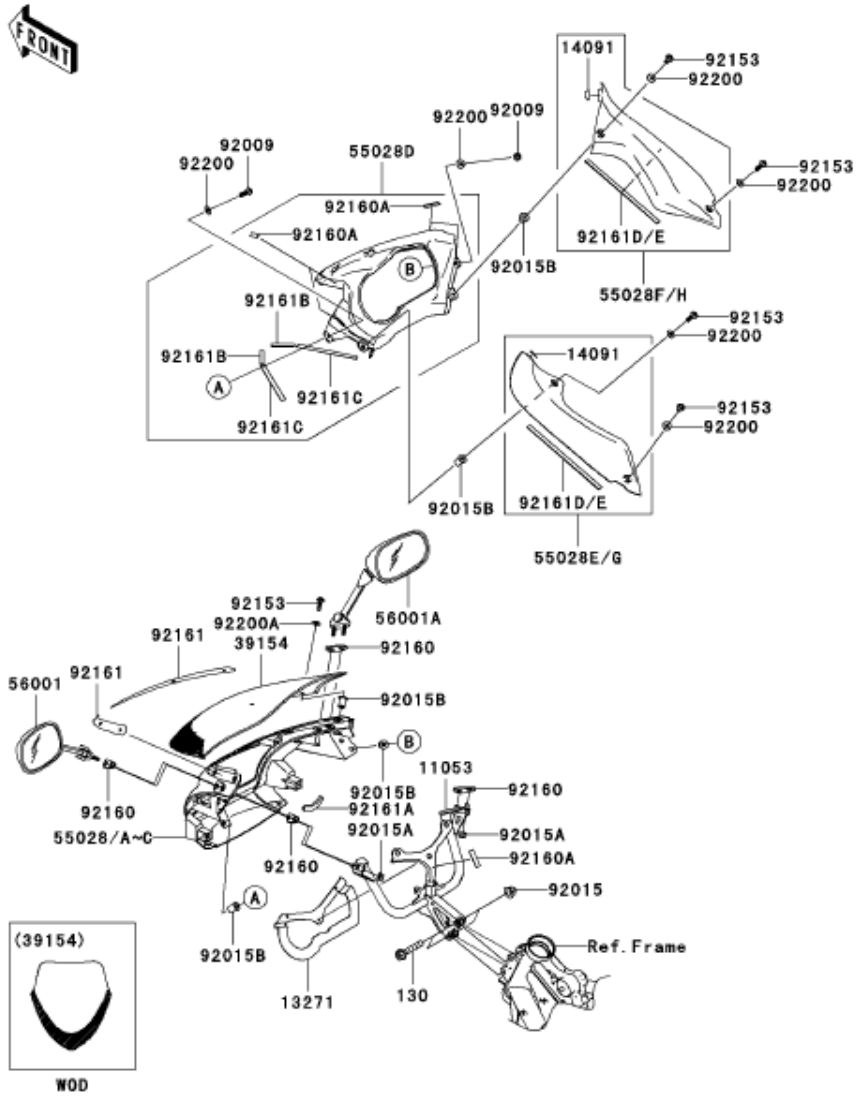


### Cowling Centres

Ref #	Part #	Description	Qty	Spec #
14091	14091-0655	COVER,CNT COWLING,INNER,LH	1	
14091A	14091-0656	COVER,CNT COWLING,INNER,RH	1	
55028	55028-0116-234	COWLING,CNT,LH,P.RED	1	
55028A	55028-0116-723	COWLING,CNT,LH,C.P.BLUE	1	
55028B	55028-0117-234	COWLING,CNT,RH,P.RED	1	
55028C	55028-0117-723	COWLING,CNT,RH,C.P.BLUE	1	
92009	92009-1909	SCREW,5X16	4	
92015	92015-1757	NUT,WELL,5MM	4	
92037	92037-1827	CLAMP,HOSE	4	
92071	92071-056	GROMMET	2	
92152	92152-0422	COLLAR	2	
92153	92153-0478	BOLT,6X18	2	
92161	92161-0445	DAMPER	2	
92161A	92161-0446	DAMPER	2	
92161B	92161-1315	DAMPER	2	
92172	92172-0175	SCREW,TAPPING,5X16	2	
92200	92200-0006	WASHER,NYLONE,5.3X11.5X0.5	4	
92200A	92200-0157	WASHER,10.4X15.9X0.5	2	

# Cowling Upper

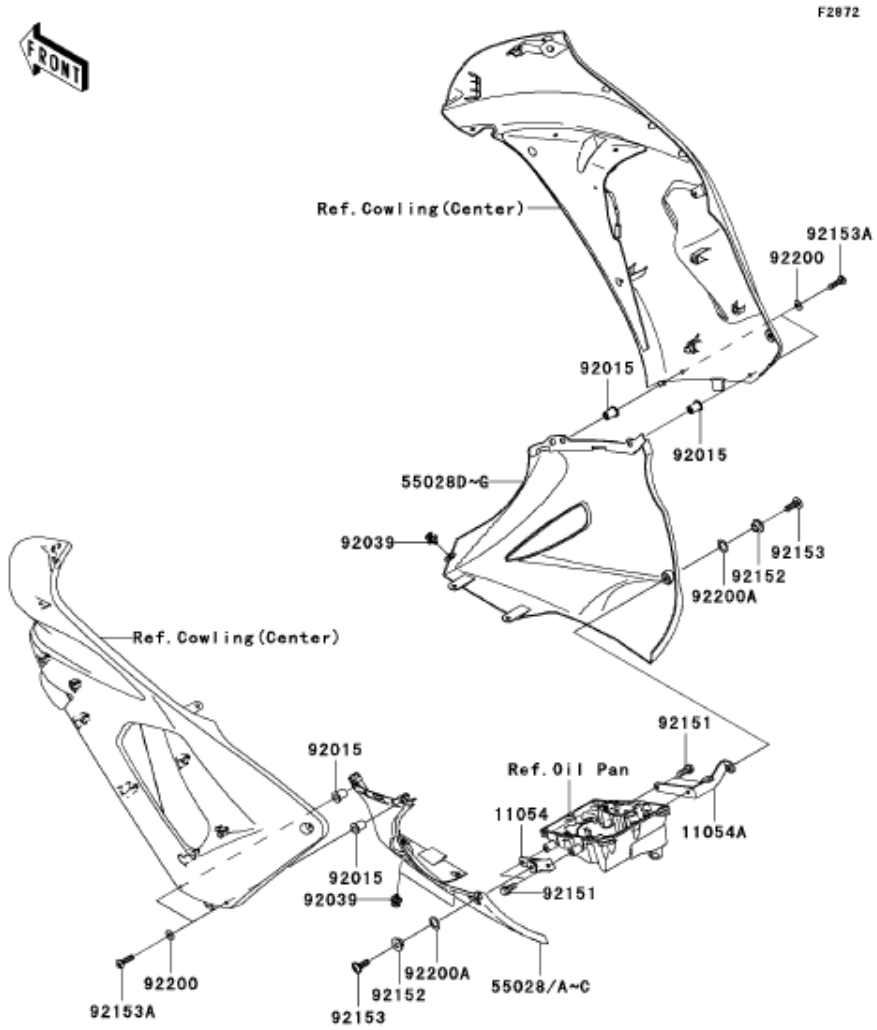
F2071



## Cowling Upper

Ref #	Part #	Description	Qty	Spec #
130	130L0830	BOLT-FLANGED,8X30	2	
11053	11053-1883	BRACKET,MIRROR&METER	1	
13271	13271-0761	PLATE,UPP COWLING	1	
14091	14091-0606	COVER	2	
39154	39154-0015	WINDSHIELD	1	
55028A	55028-0113-234	COWLING,UPP,P.RED	1	
55028C	55028-0113-723	COWLING,UPP,C.P.BLUE	1	
55028D	55028-0121	COWLING,INNER,CNT	1	
55028G	55028-0157	COWLING,INNER,LH	1	
55028H	55028-0158	COWLING,INNER,RH	1	
56001	56001-0043	MIRROR-ASSY,LH	1	
56001A	56001-0044	MIRROR-ASSY,RH	1	
92009	92009-1909	SCREW,5X16	2	
92015	92015-1174	NUT,CAP,8MM,BLACK	2	
92015A	92015-1386	NUT,6MM	4	
92015B	92015-1757	NUT,WELL,5MM	8	
92153	92153-1244	BOLT,SOCKET,5X16	8	
92160	92160-1089	DAMPER,MIRROR	4	
92160A	92160-1099	DAMPER	5	
92161	92161-0376	DAMPER,UPP COWLING	2	
92161A	92161-0401	DAMPER,UPP COWLING	1	
92161B	92161-0402	DAMPER,INNER COWLING,CNT	2	
92161C	92161-0403	DAMPER,INNER COWLING,CNT	2	
92161E	92161-0435	DAMPER,INNER COWLING	2	
92200	92200-0006	WASHER,NYLONE,5.3X11.5X0.5	6	
92200A	92200-1011	WASHER,NYLON,5.2X12X1	4	

# Cowling Lowers

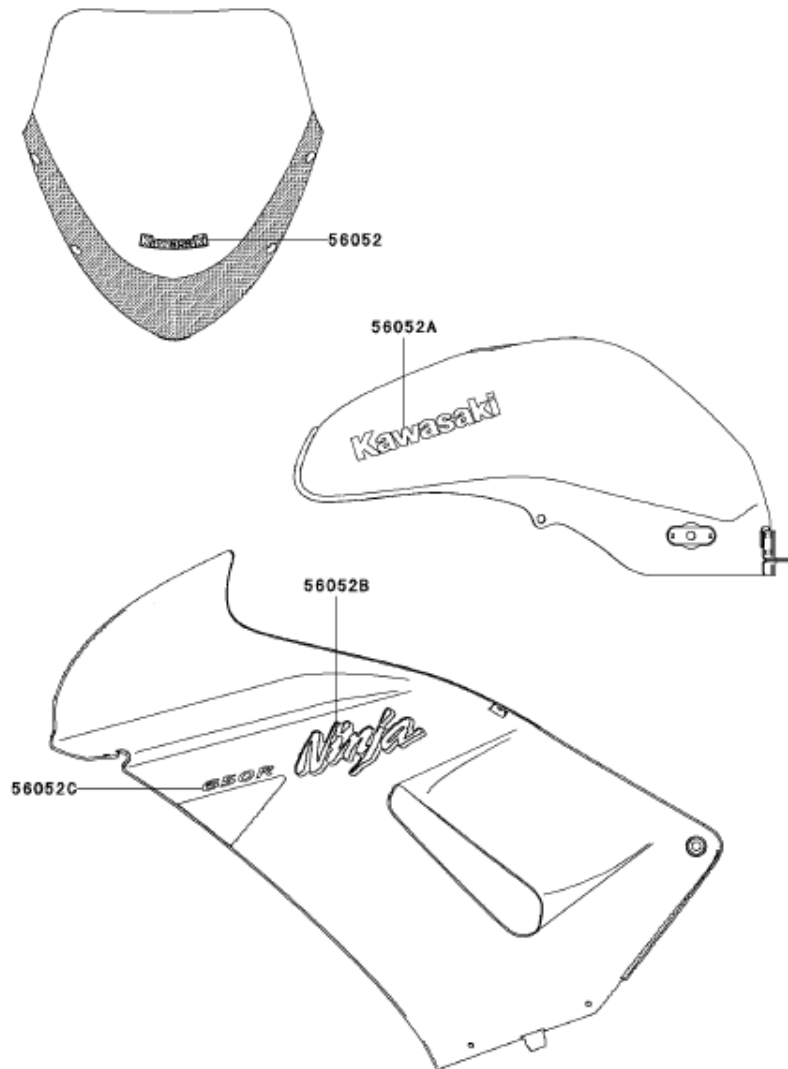


### Cowling Lowers

Ref #	Part #	Description	Qty	Spec #
11054	11054-0330	BRACKET,LWR COWLING,LWR,LH	1	
11054A	11054-0331	BRACKET,LWR COWLING,LWR,RH	1	
55028	55028-0119-234	COWLING,LWR,LH,P.RED	1	
55028C	55028-0119-723	COWLING,LWR,LH,C.P.BLUE	1	
55028D	55028-0120-234	COWLING,LWR,RH,P.RED	1	
55028G	55028-0120-723	COWLING,LWR,RH,C.P.BLUE	1	
92015	92015-1757	NUT,WELL,5MM	4	
92039	92039-0014	RIVET	3	
92151	92151-1755	BOLT,FLANGED,6X14	4	
92152	92152-0422	COLLAR	2	
92153	92153-0478	BOLT,6X18	2	
92153A	92153-0873	BOLT,SOCKET,5X20	4	
92200	92200-0006	WASHER,NYLONE,5.3X11.5X0.5	4	
92200A	92200-0157	WASHER,10.4X15.9X0.5	2	

# Decals

F2061B

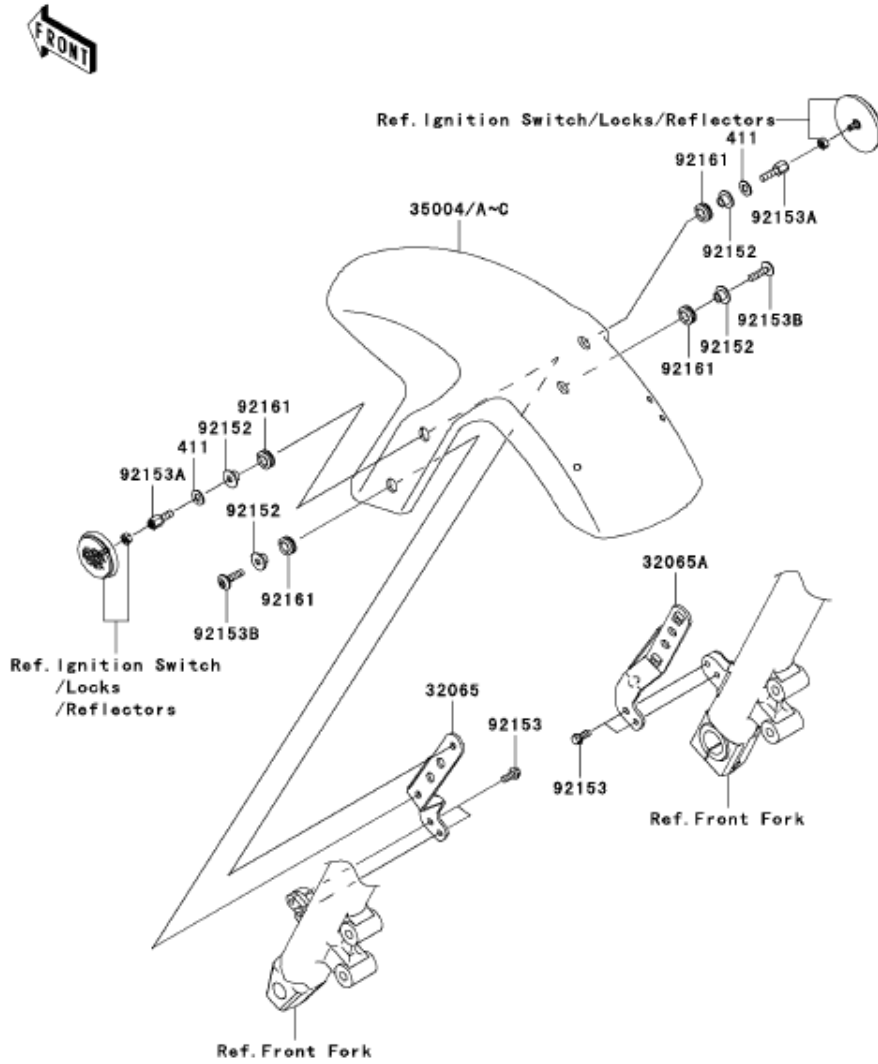


### Decals

Ref #	Part #	Description	Qty	Spec #
56052	56052-0819	MARK,WINDSHIELD	1	
56052A	56052-0993	MARK,FUEL TANK,KAWASAKI	2	
56052B	56052-0995	MARK,SIDE COVER,NINJA	2	
56052C	56052-0996	MARK,SIDE COVER,650R	2	

# Front Fender

F2171

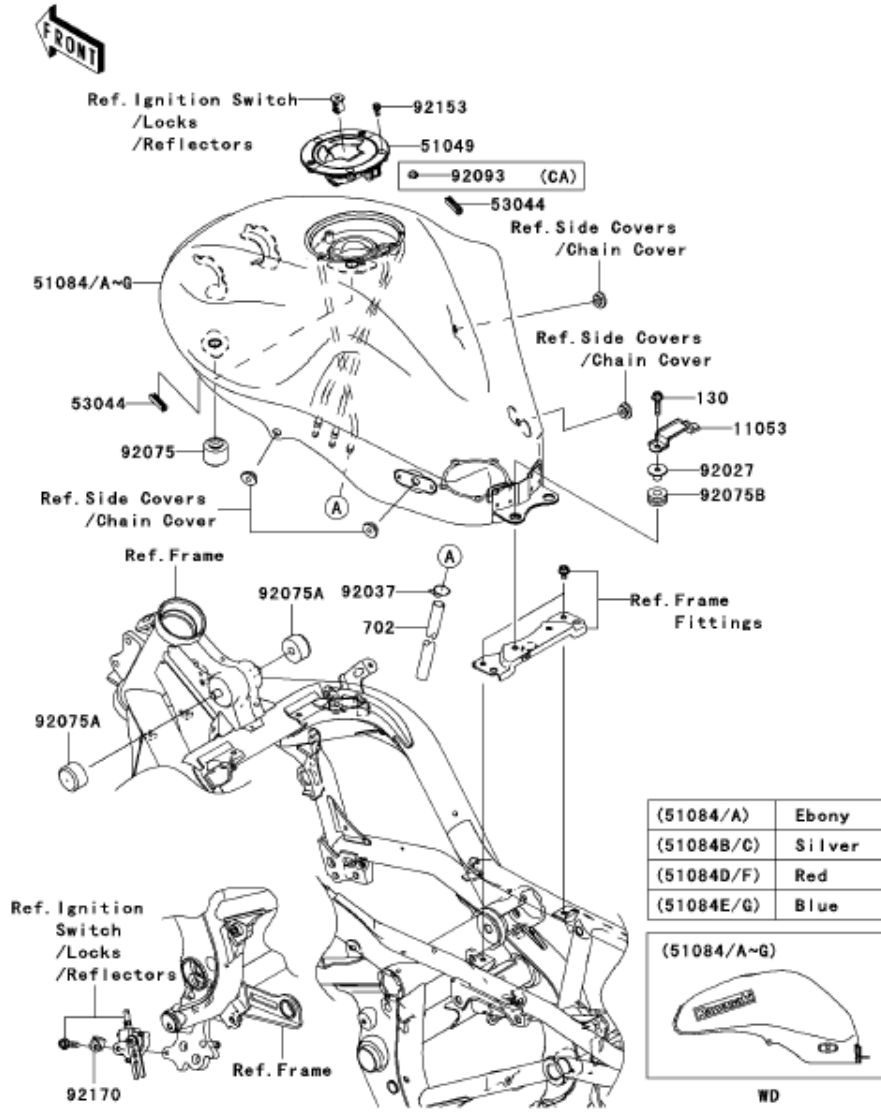


### Front Fender

Ref #	Part #	Description	Qty	Spec #
411	411F0600	WASHER-PLAIN,6MM,BLACK	2	
32065	32065-0022	BRACKET-FENDER,LH	1	
32065A	32065-0023	BRACKET-FENDER,RH	1	
35004A	35004-0053-234	FENDER-FRONT,P.RED	1	
35004C	35004-0053-723	FENDER-FRONT,C.P.BLUE	1	
92152	92152-0295	COLLAR	4	
92153	92153-0589	BOLT,FLANGED,6X14	4	
92153A	92153-1004	BOLT,6MM	2	
92153B	92153-1267	BOLT,SOCKET,6X23	2	
92161	92161-0266	DAMPER	4	

# Fuel Tank

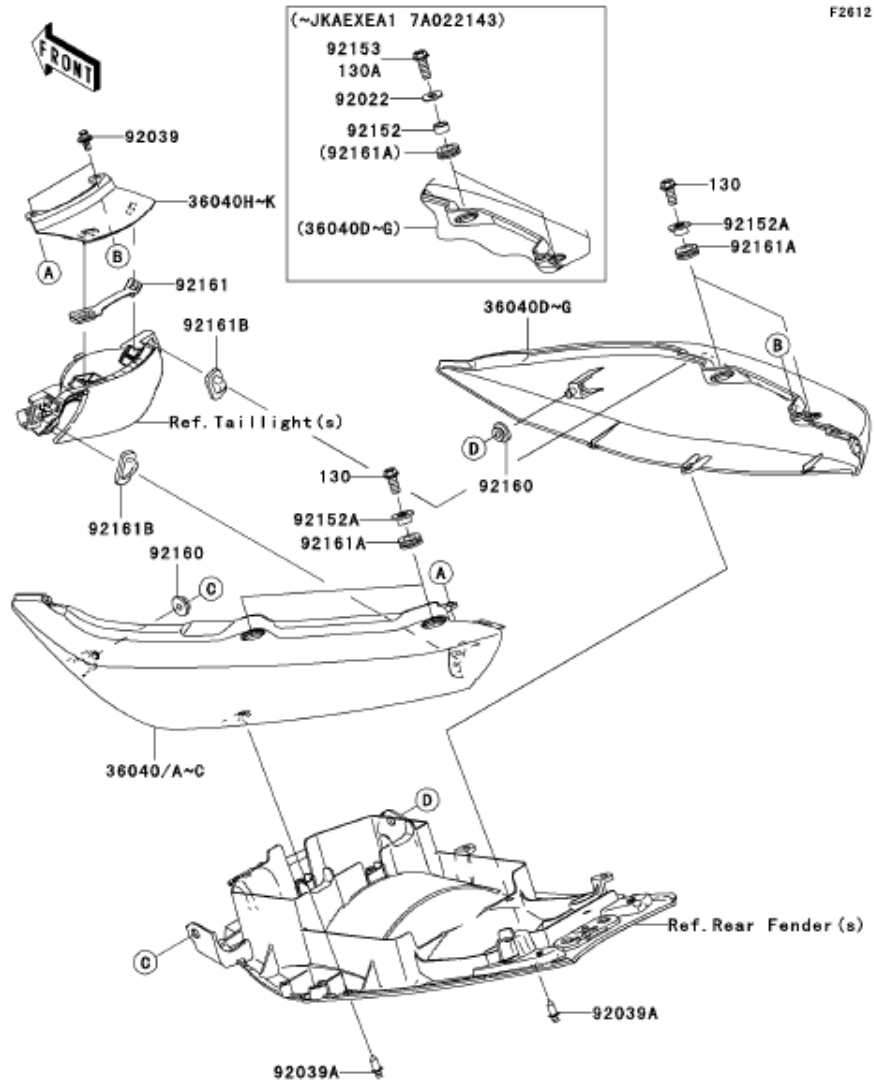
F2410



## Fuel Tank

Ref #	Part #	Description	Qty	Spec #
130	130L0625	BOLT-FLANGED,6X25	2	
702	702A06750	TUBE-RUBBER,6X9X750	1	
11053	11053-1812	BRACKET,SEAT	1	
51049	51049-0012	CAP-TANK,FUEL	1	
51084D	51084-5331-234	TANK-COMP-FUEL,P.RED	1	[CN,US]
51084E	51084-5331-723	TANK-COMP-FUEL,C.P.BLUE	1	[CN,US]
51084F	51084-5333-234	TANK-COMP-FUEL,P.RED	1	[CA]
51084G	51084-5333-723	TANK-COMP-FUEL,C.P.BLUE	1	[CA]
53044	53044-0001	TRIM,L=30	2	
92027	92027-251	COLLAR,L=13.1	2	
92037	92037-010	CLAMP,TUBE	1	
92075	92075-1002	DAMPER	2	
92075A	92075-125	DAMPER,FUEL TANK	2	
92075B	92075-1690	DAMPER	2	
92093	92093-1030	SEAL,FUEL TANK CAP	1	[CA]
92153	92153-1616	BOLT,SOCKET,5X16	3	
92170	92170-1833	CLAMP	1	

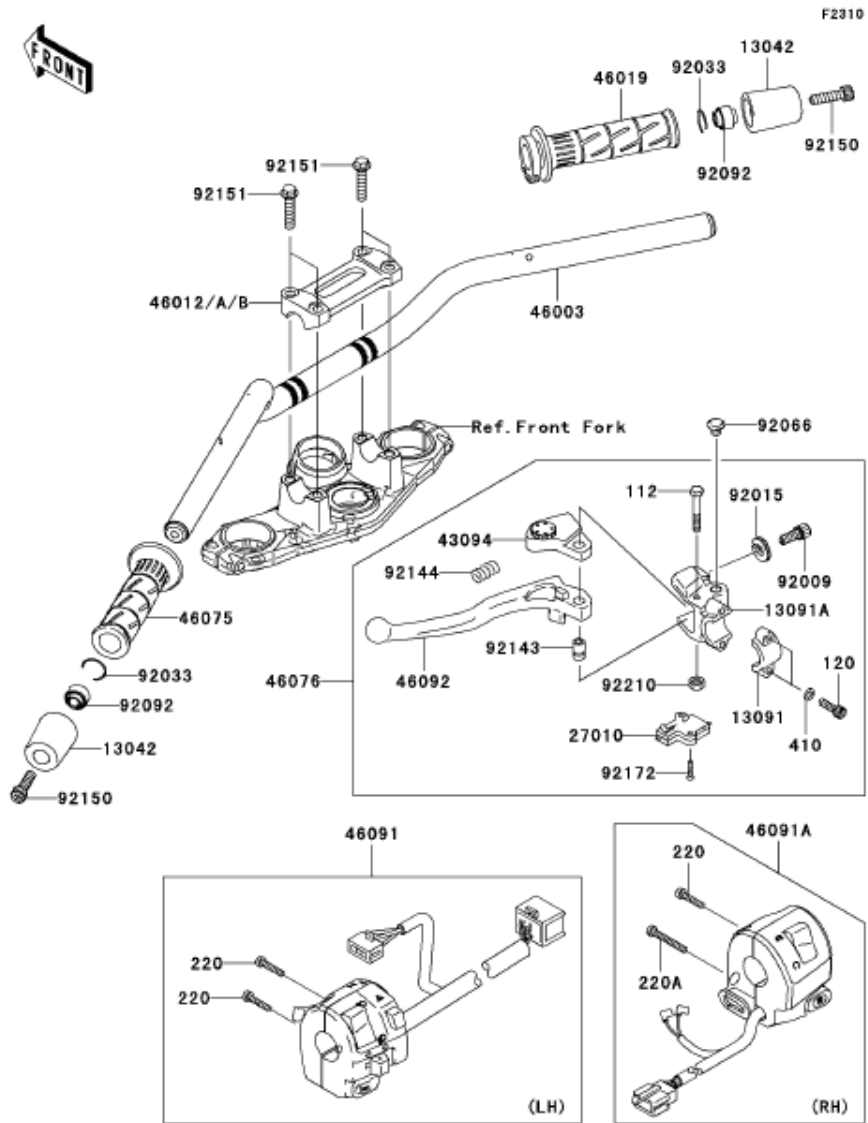
# Seat Cover



## Seat Cover

Ref #	Part #	Description	Qty	Spec #
130	130P0820	BOLT-FLANGED,8X20	4	(JKAEXEA1 7A022144 - )
130A	130W0822	BOLT-FLANGED,8X22	4	( - JKAEXEA1 7A022143)
36040A	36040-0037-234	COVER-TAIL,LH,P.RED	1	
36040C	36040-0037-723	COVER-TAIL,LH,C.P.BLUE	1	
36040E	36040-0038-234	COVER-TAIL,RH,P.RED	1	
36040G	36040-0038-723	COVER-TAIL,RH,C.P.BLUE	1	
36040I	36040-0039-234	COVER-TAIL,CNT,P.RED	1	
36040K	36040-0039-723	COVER-TAIL,CNT,C.P.BLUE	1	
92022	92022-1317	WASHER,8.5X20X1.6,BLACK	4	( - JKAEXEA1 7A022143)
92039	92039-1227	RIVET	2	
92039A	92039-1283	RIVET	2	
92152	92152-0312	COLLAR,9.2X13.8X6.5	4	( - JKAEXEA1 7A022143)
92152A	92152-0550	COLLAR	4	(JKAEXEA1 7A022144 - )
92160	92160-1613	DAMPER	2	
92161	92161-0191	DAMPER,TAIL LAMP	1	
92161A	92161-0279	DAMPER	4	
92161B	92161-0280	DAMPER	2	

# Handlebar

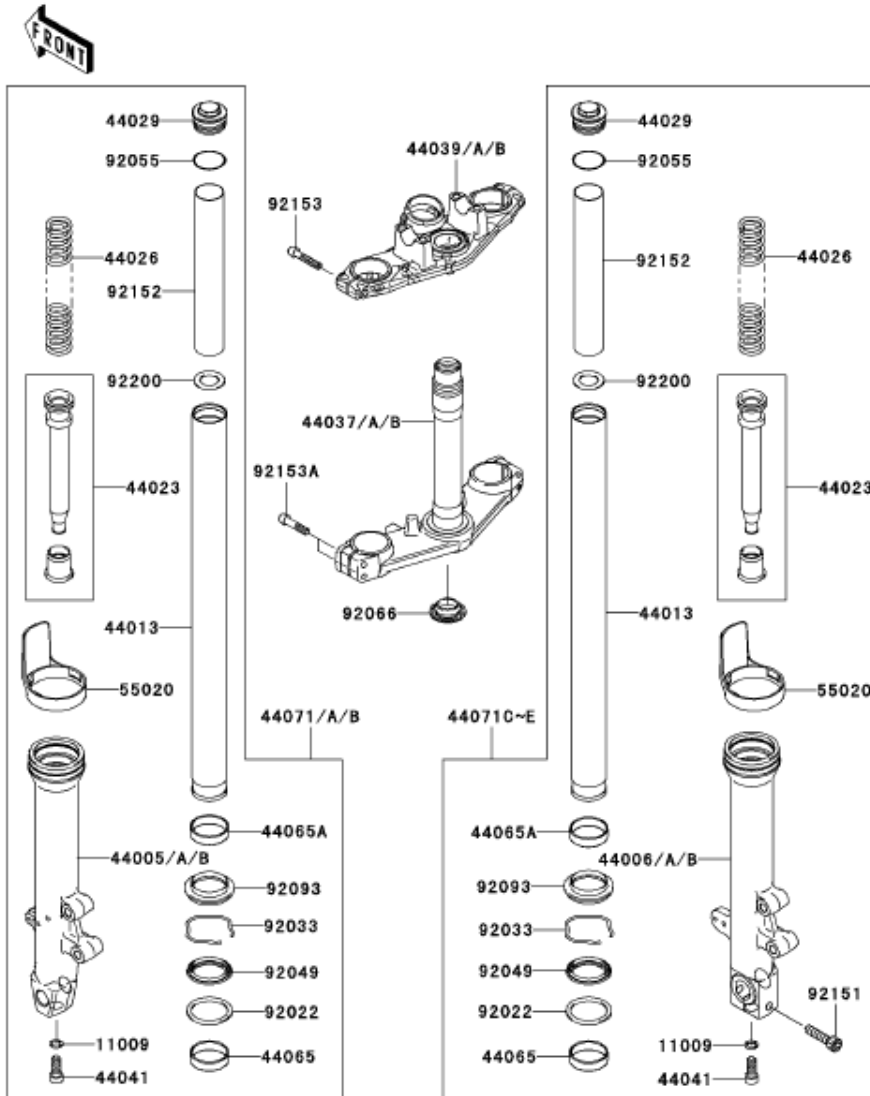


## Handlebar

Ref #	Part #	Description	Qty	Spec #
112	112C0640	BOLT-UPSET,6X40	1	
120	120S0620	BOLT-SOCKET,6X20	2	
220	220C0525	SCREW-PAN-CROS,5X25	3	
220A	220C0540	SCREW-PAN-CROS,5X40	1	
410	410F0600	WASHER-PLAIN-SMALL,6MM,BLACK	2	
13042	13042-1006	WEIGHT,HANDLE	2	
13091	13091-1624	HOLDER,CLUTCH LEVER	1	
13091A	13091-1652	HOLDER,CLUTCH LEVER	1	
27010	27010-1094	SWITCH,CLUTCH,BLACK	1	
43094	43094-1053	ADJUSTER,CLUTCH LEVER	1	
46003	46003-0093-458	HANDLE,P.SILVER	1	
46012	46012-0010-458	HOLDER-HANDLE,UPP,P.SILVER	1	
46019	46019-0001	GRIP-ASSY,THROTTLE	1	
46075	46075-1144	GRIP,LH	1	
46076	46076-1180	LEVER-ASSY-GRIP,CLUTCH	1	
46091	46091-0087	HOUSING-ASSY-CONTROL,LH	1	
46091A	46091-0092	HOUSING-ASSY-CONTROL,RH	1	
46092	46092-1162	LEVER-GRIP,CLUTCH	1	
92009	92009-1134	SCREW,CABLE ADJUST,8MM,BLACK	1	
92015	92015-1197	NUT,CABLE ADJUST LOCK,8MM,BLK	1	
92033	92033-1102	RING-SNAP,OD=22.2	2	
92066	92066-1077	PLUG,9.5X8,POLYETHYLENE	1	
92092	92092-1018	BUSHING-RUBBER,HANDLE	2	
92143	92143-1379	COLLAR	1	
92144	92144-1467	SPRING	1	
92150	92150-1604	BOLT,SOCKET,8X30	2	
92151	92151-1537	BOLT,FLANGED,8X35	4	
92172	92172-0183	SCREW,3X16	2	
92210	92210-0006	NUT,LOCK,6MM	1	

# Front Forks

F2340

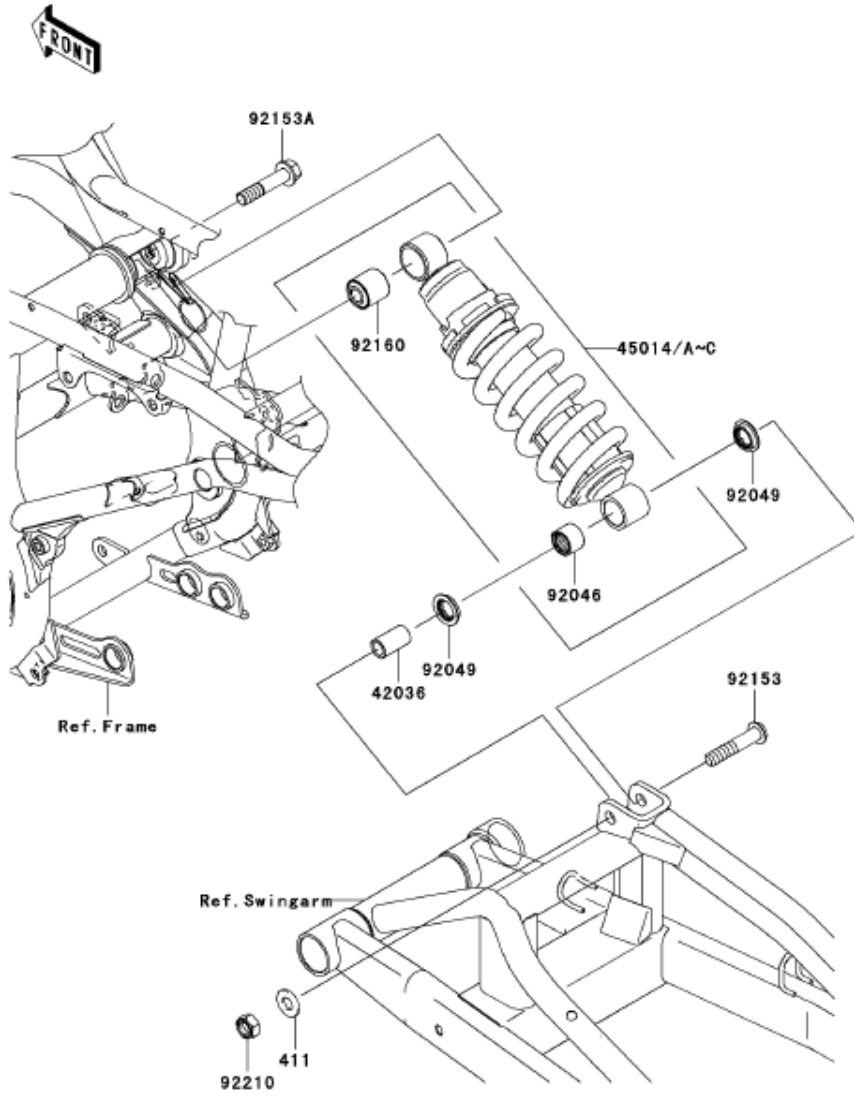


## Front Forks

Ref #	Part #	Description	Qty	Spec #
11009	11009-1325	GASKET,PIPE-COMP-SUSP	2	
44005	44005-0045-458	PIPE-LEFT FORK OUTER,P.SILVER	1	
44006	44006-0045-458	PIPE-RIGHT FORK OUTER,P.SILVER	1	
44013	44013-0063	PIPE-FORK INNER	2	
44023	44023-0044	CYLINDER-SET-FORK	2	
44026	44026-0090	SPRING-FRONT FORK	2	
44029	44029-0005	SEAT-FORK SPRING	2	
44037	44037-0050-458	HOLDER-FORK UNDER,P.SILVER	1	
44039	44039-0033-458	HOLDER-FORK UPPER,P.SILVER	1	
44041	44041-040	BOLT,SOCKET,FORK CYLINDER	2	
44065	44065-0014	BUSHING-FRONT FORK,INNER TUBE	2	
44065A	44065-1115	BUSHING-FRONT FORK,OUTER TUBE	2	
44071	44071-0289-458	DAMPER-ASSY,FORK,LH,P.SILVER	1	
44071C	44071-0290-458	DAMPER-ASSY,FORK,RH,P.SILVER	1	
55020	55020-1691	GUARD,FORK	2	
92022	92022-1298	WASHER,FORK OUTER TUBE	2	
92033	92033-1036	RING-SNAP	2	
92049	92049-0073	SEAL-OIL	2	
92055	92055-1321	RING-O	2	
92066	92066-0032	PLUG	1	
92093	92093-1472	SEAL,FORK OUTER TUBE	2	
92151	92151-1357	BOLT,SOCKET,10X40	1	
92152	92152-0410	COLLAR,FORK	2	
92153	92153-0506	BOLT,SOCKET,8X40	2	
92153A	92153-1472	BOLT,SOCKET,8X35	4	
92200	92200-1302	WASHER	2	

# Suspension/Shock Absorber

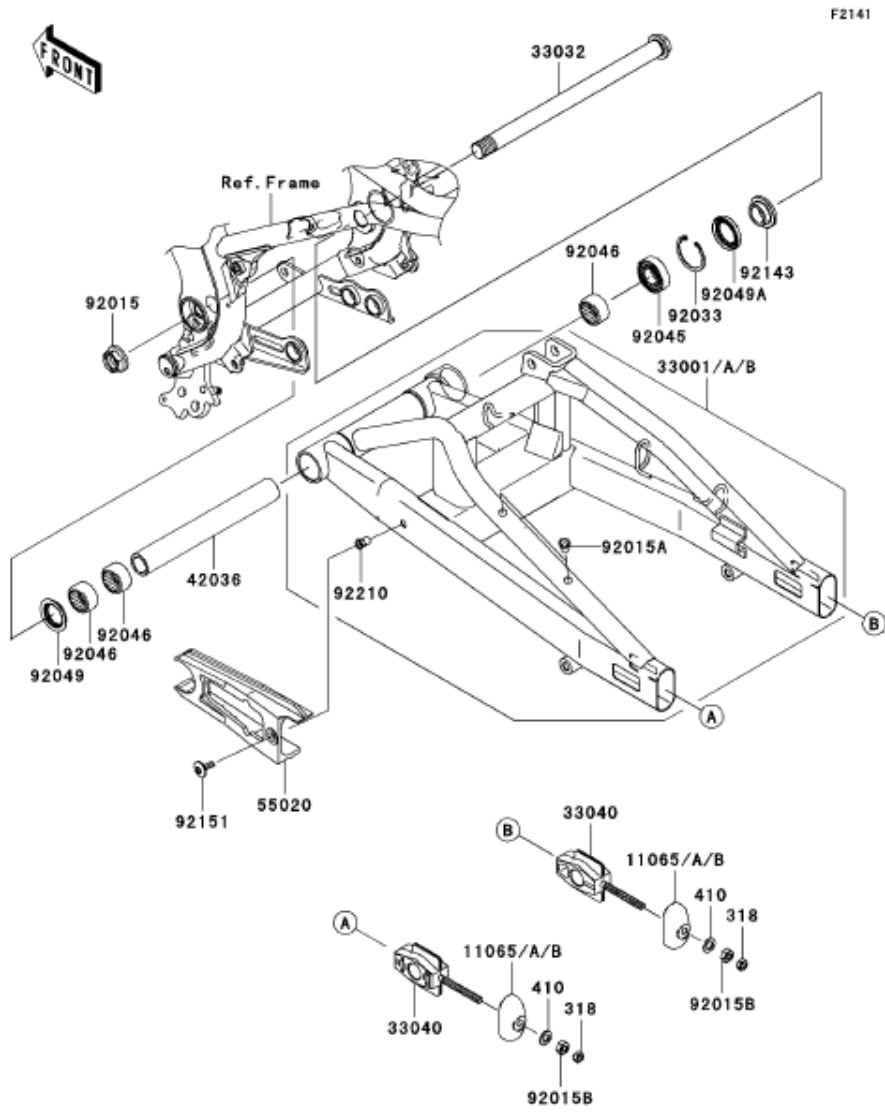
F2161



### Suspension/Shock Absorber

Ref #	Part #	Description	Qty	Spec #
411	411AA1200	WASHER-PLAIN,12MM	1	
42036	42036-0024	SLEEVE,12.1X18X32	1	
45014	45014-0119-CD	SHOCKABSORBER,F.RED	1	
45014A	45014-0119-17W	SHOCKABSORBER,M.P.BLUE	1	
92046	92046-1272	BEARING-NEEDLE,SFYZM182417	1	
92049	92049-1493	SEAL-OIL,KCR MF018N1	2	
92153	92153-1484	BOLT,SOCKET,12X60	1	
92153A	92153-1766	BOLT,FLANGED,12X55	1	
92160	92160-1161	DAMPER,SHOCKABSORBER	1	
92210	92210-0300	NUT,LOCK,12MM	1	

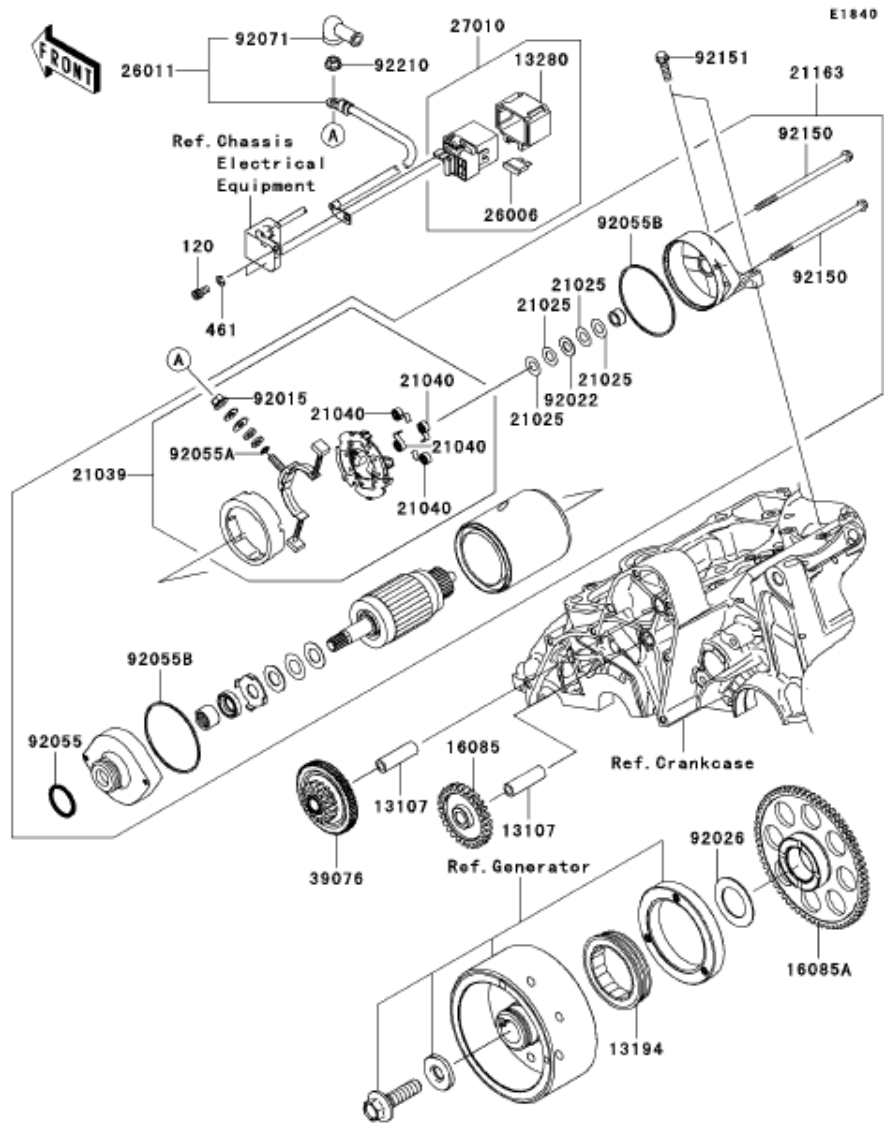
# Swingarm



## Swingarm

Ref #	Part #	Description	Qty	Spec #
318	318C0800	NUT-HEX-SMALL	2	
410	410F0800	WASHER-PLAIN-SMALL,8MM,BLACK	2	
11065	11065-0121-458	CAP,CHAIN ADJUSTER,P.SILVER	2	
33001	33001-0081-458	ARM-COMP-SWING,P.SILVER	1	
33032	33032-1142	SHAFT-SWING ARM	1	
33040	33040-0015	ADJUSTER-CHAIN,INNER	2	
42036	42036-1358	SLEEVE,SWING ARM,L=219.5	1	
55020	55020-0192	GUARD,CHAIN	1	
92015	92015-1724	NUT,FLANGED,20MM	1	
92015A	92015-1759	NUT,POP,6MM	2	
92015B	92015-1959	NUT,8MM	2	
92033	92033-1041	RING-SNAP,42MM	1	
92045	92045-0017	BEARING-BALL,6004UL11	1	
92046	92046-0008	BEARING-NEEDLE,7E-HVS 28X34X17	3	
92049	92049-1181	SEAL-OIL	1	
92049A	92049-1185	SEAL-OIL,TC28426.5	1	
92143	92143-1727	COLLAR,SWING ARM,RH,L=12.5	1	
92151	92151-1149	BOLT,SOCKET,6X18	1	
92210	92210-1397	NUT,POP,6MM,L=15	1	

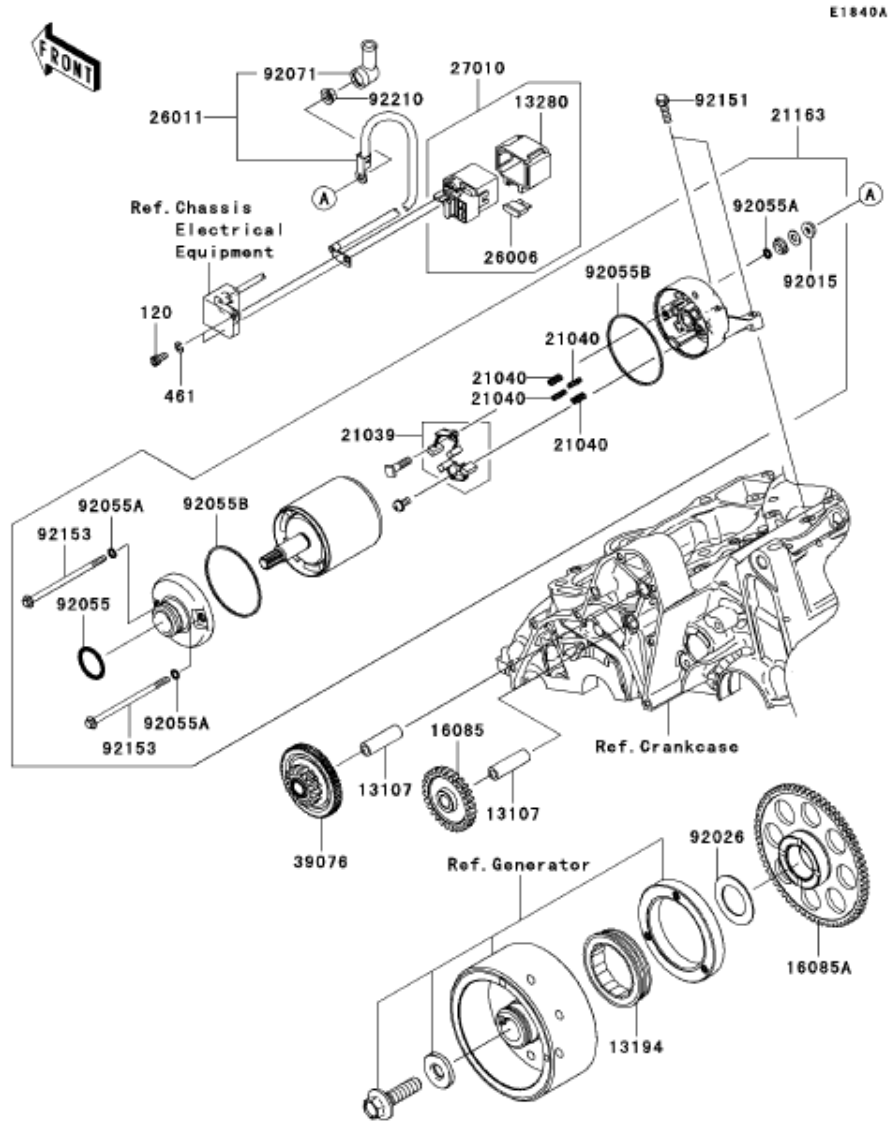
## Starter Motor (ER650AE046804)



### Starter Motor (ER650AE046804)

Ref #	Part #	Description	Qty	Spec #
120	120S0510	BOLT-SOCKET,5X10	2	
461	461K0500	WASHER-SPRING,5MM,BLACK	2	
13107	13107-1106	SHAFT,IDLE GEAR	2	
13194	13194-1083	CLUTCH-ONEWAY	1	
13280	13280-1263	HOLDER	1	
16085	16085-0074	GEAR,IDLE,28T	1	
16085A	16085-0076	GEAR,67T	1	
21025	21025-011	WASHER,9.1X18X0.2	AR	
21039	21039-1060	BRUSH,CARBON	1	
21040	21040-1055	SPRING-BRUSH	4	
21163	21163-0027	STARTER-ELECTRIC	1	
26006	26006-1006	FUSE,30A-G	1	
26011	26011-0083	WIRE-LEAD	1	
27010	27010-1446	SWITCH,MAGNETIC	1	
39076	39076-0006	LIMITER,16T&66T	1	
92015	92015-1476	NUT,STARTER MOTOR	1	
92022	92022-1132	WASHER,9.1X18X0.8	1	
92026	92026-087	SPACER,29.1X47.5X1.2	1	
92055	92055-1276	RING-O	1	
92055A	92055-1370	RING-O,4.5X2.0	1	
92055B	92055-1381	RING-O,STARTER MOTOR	2	
92071	92071-0024	GROMMET	1	
92150	92150-1143	BOLT,5X110	2	
92151	92151-1937	BOLT,6X22	2	
92210	92210-0188	NUT,6MM	1	

# Starter Motor (ER650AE046805)



### Starter Motor (ER650AE046805)

Ref #	Part #	Description	Qty	Spec #
120	120S0510	BOLT-SOCKET,5X10	2	
461	461K0500	WASHER-SPRING,5MM,BLACK	2	
13107	13107-1106	SHAFT,IDLE GEAR	2	
13194	13194-1083	CLUTCH-ONEWAY	1	
13280	13280-1263	HOLDER	1	
16085	16085-0074	GEAR,IDLE,28T	1	
16085A	16085-0076	GEAR,67T	1	
21039	21039-0004	BRUSH,CARBON	1	
21040	21040-0003	SPRING-BRUSH	4	
21163	21163-0040	STARTER-ELECTRIC	1	
26006	26006-1006	FUSE,30A-G	1	
26011	26011-0083	WIRE-LEAD	1	
27010	27010-1446	SWITCH,MAGNETIC	1	
39076	39076-0006	LIMITER,16T&66T	1	
92015	92015-1476	NUT,STARTER MOTOR	1	
92026	92026-087	SPACER,29.1X47.5X1.2	1	
92055	92055-1276	RING-O	1	
92055A	92055-1370	RING-O,4.5X2.0	3	
92055B	92055-1381	RING-O,STARTER MOTOR	2	
92071	92071-0024	GROMMET	1	
92151	92151-1937	BOLT,6X22	2	
92153	92153-1783	BOLT	2	
92210	92210-0188	NUT,6MM	1	